

Power Distribution Boxes



Temporary Power Boxes, Cable Sets and Replacement Parts



- Weatherproof receptacle lift covers
- Available with six 20A straight blade or locking receptacles
- Features 50A locking input and output
- Over current protection for each circuit
- Individual GFCI module for each receptacle
- Nested leg design allows boxes to be easily stacked
- UL Type 3R for outdoor rainproof applications

Temporary Power Distribution Boxes

Rating	Type	Qty	Receptacle Ratings	Protection Overload	GFCI Protected	Catalog Number
50A 120/240V AC (Max.)	Straight Blade	6	20A 125V	Yes	Yes	TPDSB
	Locking	1	30A 250V	Yes	No	
	Locking (inlet)	1	50A 125/250V	No	No	
	Locking (outlet)	1	50A 125/250V	No	No	
50A 120/240V AC (Max.)	Locking	6	20A 125V	Yes	Yes	TPDLB
	Locking	1	30A 250V	Yes	No	
	Locking (inlet)	1	50A 125/250V	No	No	
	Locking (outlet)	1	50A 125/250V	No	No	

Cable Sets



TPC50B

Description	50 Ft. Cable	100 Ft. Cable
50A cord set, #6/3, #8/1 cable type, with 50A locking plug and connector, not UL Listed or CSA Certified	TPC50B*	TPC100B*

Replacement Parts



CS6365L



CS6375L



7774CR

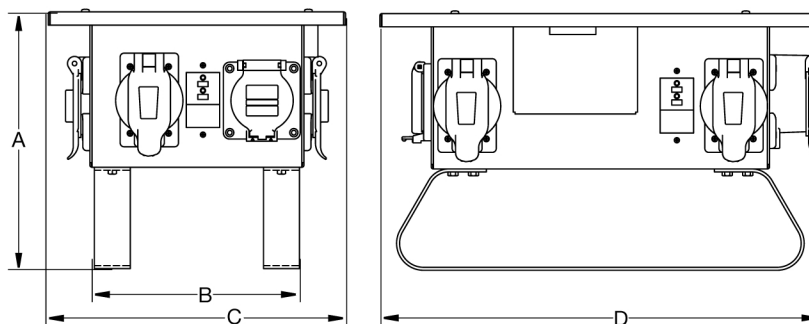


7780

Description	20A 125V	30A 250V	50A 125/250V
Straight blade receptacle	CRS20	—	—
Locking receptacle	—	70530FR	CS6369L
Plug	—	—	CS6365L
Connector	—	—	CS6364L
Inlet	—	—	CS6375L
Weather protective plate for receptacle	RW51470	7420B	7774CR
Weather protective plate for inlet	—	—	7780

Product Dimensions Inches (mm)

TPD Box	
A	12.52" (317.9)
B	10.23" (259.8)
C	14.50" (368.3)
D	21.50" (546.1)



Power Distribution Boxes

Weather Protective Lift Covers, Portable Outlet Boxes and Plates



- Wiring room large enough to accommodate the broadest range of device requirements in one box size
- Cord entry options include pre-defined range of 0.38 in. to 0.50 in.
- Fully thermoplastic elastomer housing exceeds UL crush requirements and is highly impact resistant, available in black or yellow
- Brass inserts for maximum strength
- Extended wall protects lift covers from impact damage



- Impact resistant PBT material
- UL Type 3R seal on a panel or on a portable outlet box
- Stainless steel hinge and spring

Pre-Assembled Portable Outlet Boxes (with Cord Connector Installed) Inches (mm)

Box Suitable for Wet and Damp Locations

IP44
SUITABILITY



BRY3099



BRY3090F



BRY3000

Description	Cord Range	Color	Deep	Deep with Feed-Thru	Deep with (2) Duplex Cover Plates
Portable outlet boxes	0.38"-0.50" (9.7-12.7)	Yellow	BRY3099	BRY3090F	BRY3000

Note: For use with NEMA Type 1 and Type 3R portable outlet box covers listed below.

Portable Outlet Box Cover Plates (NEMA Type 1) and Lift Covers (Type 3R)

UL Type 1, 3R

IP65, 66
SUITABILITY



BRY3051

BRY3056

BRY3052

BRY3057

BRY3055

BRY3058

BRY3060

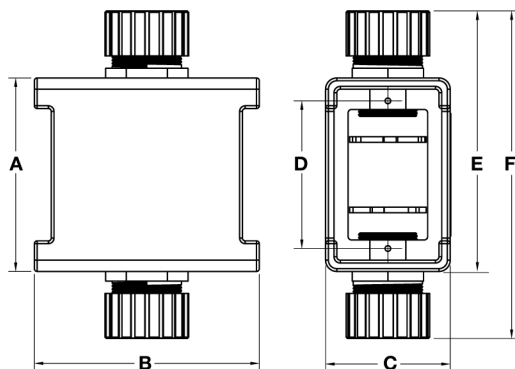
BRY3061

BRY3054

Description	Duplex		1.39" Diameter Receptacle		1.572" Diameter Receptacle		GFCI		Blank
	Box Cover UL Type 1	Lift Cover UL Type 3R	Box Cover UL Type 1	Lift Cover UL Type 3R	Box Cover UL Type 1	Lift Cover UL Type 3R	Box Cover UL Type 1	Lift Cover UL Type 3R	Lift Cover UL Type 3R
Portable outlet box cover plates	BRY3051	BRY3056	BRY3052	BRY3057	BRY3055	BRY3058	BRY3060	BRY3061	BRY3054

Product Dimensions Inches (mm)

Portable Outlet Boxes	
A	4.30" (109.2)
B	5.00" (127.0)
C	2.77" (70.4)
D	3.28" (83.3)
E	5.79" (147.0)
F	7.28" (184.9)
Box Covers	
A	3.78" (96.0)
B	2.28" (57.9)
C	0.27" (6.9)
D	3.28" (83.3)
E	1.87" (47.5)
F	3.25" (82.6)



Style shown is representative of all openings.

